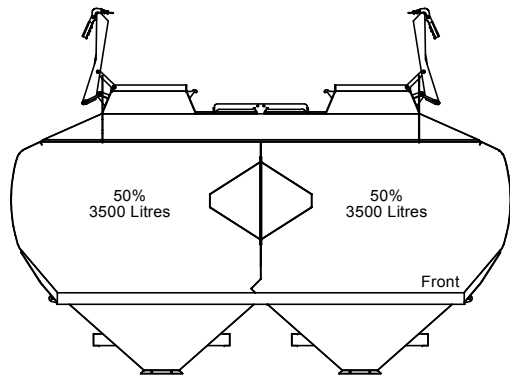
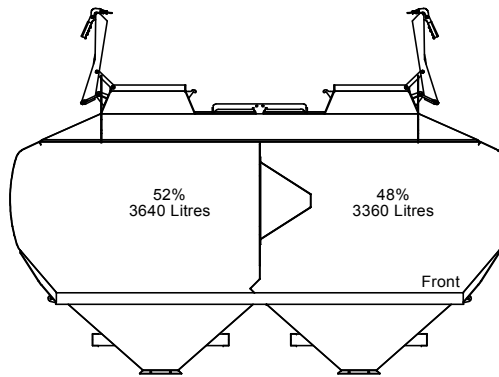


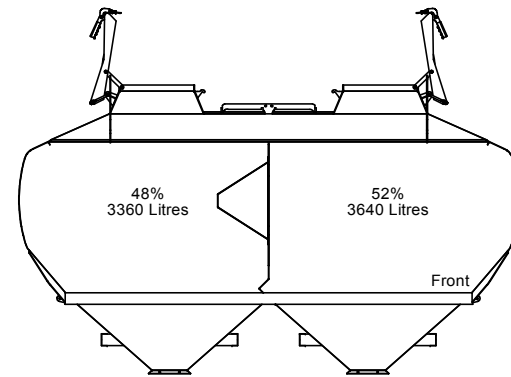
DO NOT SCALE - IF IN DOUBT ASK



Split 1



Split 2



Split 3

7000 2MC Double Bin

Total Usable Volume Given
a 25 Degree Angle of Repose is:
7000 Litres

Fabrication Note

Finish:

General Tolerances

Linear Dimensions

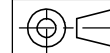
X ±1mm (whole numbers)
X.X ±0.5mm (one decimal place)
X.XX ±0.25mm (two decimal places)

Angular Dimensions

All Angles ±0.5°

This drawing is the property of
Simplicity (Australia) Pty. Ltd.
It must not be used for any
purpose other than that for
which it is supplied.
Reproduction in whole or
part is prohibited without
written authority from
Simplicity (Australia) Pty. Ltd.

DRN: BB
DATE: 7/03/2016
APPRD:
DATE: / /
SCALE: 1:50



SIMPLICITY (AUSTRALIA) PTY LTD	
18 LOUDOUN RD DALBY 4405 PH (07) 4660 6000 Engineering FAX (07) 4660 6050	
Simplicity Air Seeder Bin Splits	
7000 2MC Double Bin Splits	
DRAWING NUMBER	REV
7000 2MC Double Bin Splits	00
SHEET	A4
1 OF 1	